

NOT FOR CONSTRUCTION, UTILITY INTERCONNECTION APPLICATION ONLY



Rev	Issued For	Date Issued
A	Interconnection Application	6/14/2021



Project:  
**75026 Alturus Solar PV**  
73 Hartley Road,  
Goshen, NY 10924  
41-4022, -74-3815

Drawing Title:  
**Three Line Diagram**

Drawn by: ZRusso  
Scale: N.T.S.  
Approved by: NGonzalez

Dwg No:	Size: D	Sheet Rev:
<b>E-603</b>		<b>A</b>

Company Confidential - This drawing or print is the property of Nexamp, Inc. and is subject to return on request. The design concepts and information contained herein are proprietary to Nexamp, Inc. and its subsidiaries and are submitted in confidence. They are not transferable and must be used only for the purpose for which the Drawing/print is expressly loaned. They must not be disclosed, reproduced detrimental to the interest of Nexamp, Inc. All patent rights are reserved unless they are expressly assigned in writing by a duly authorized representative of Nexamp, Inc.

8

7

6

5

4

3

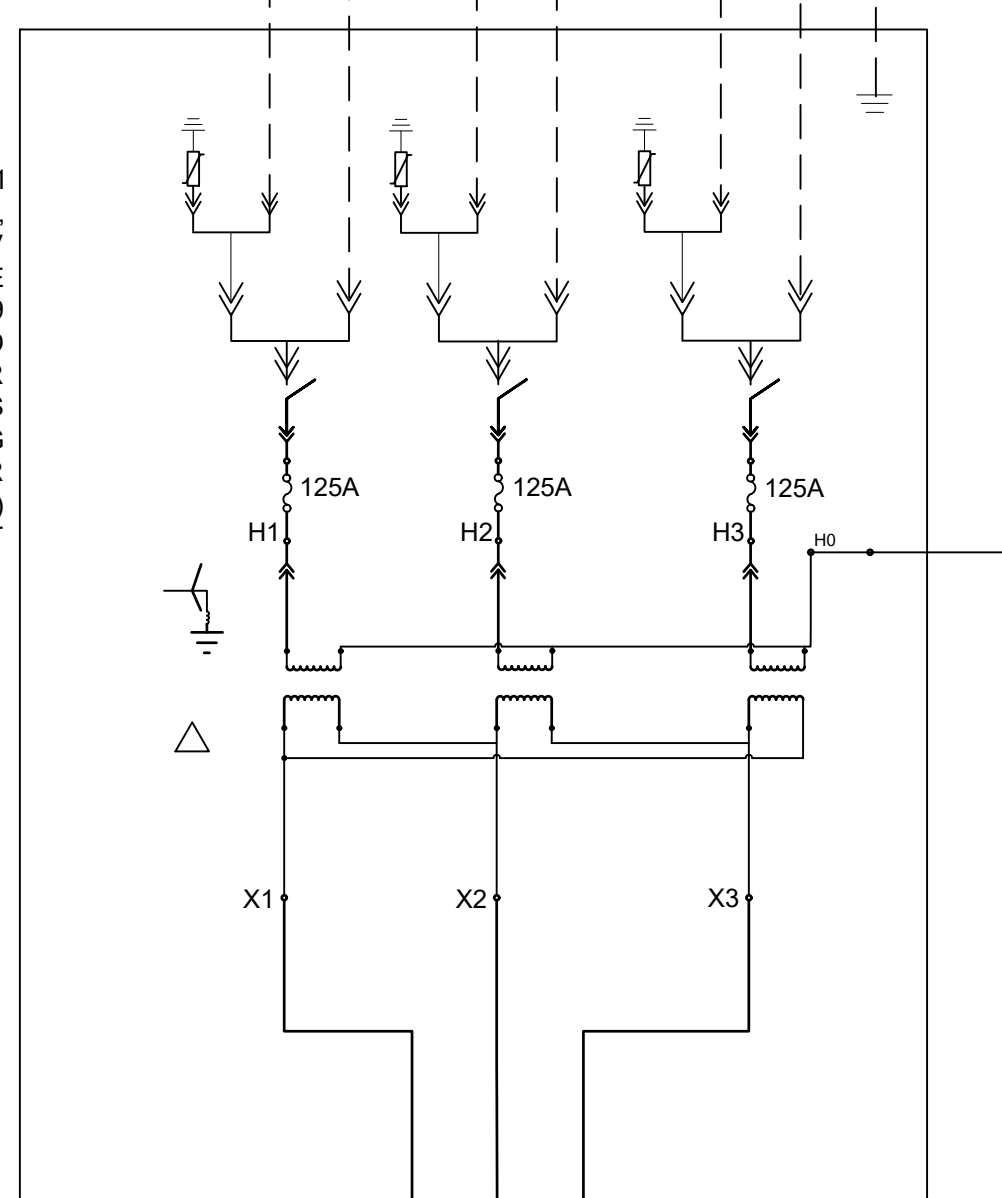
2

1

H  
G  
F  
E  
D  
C  
B  
A

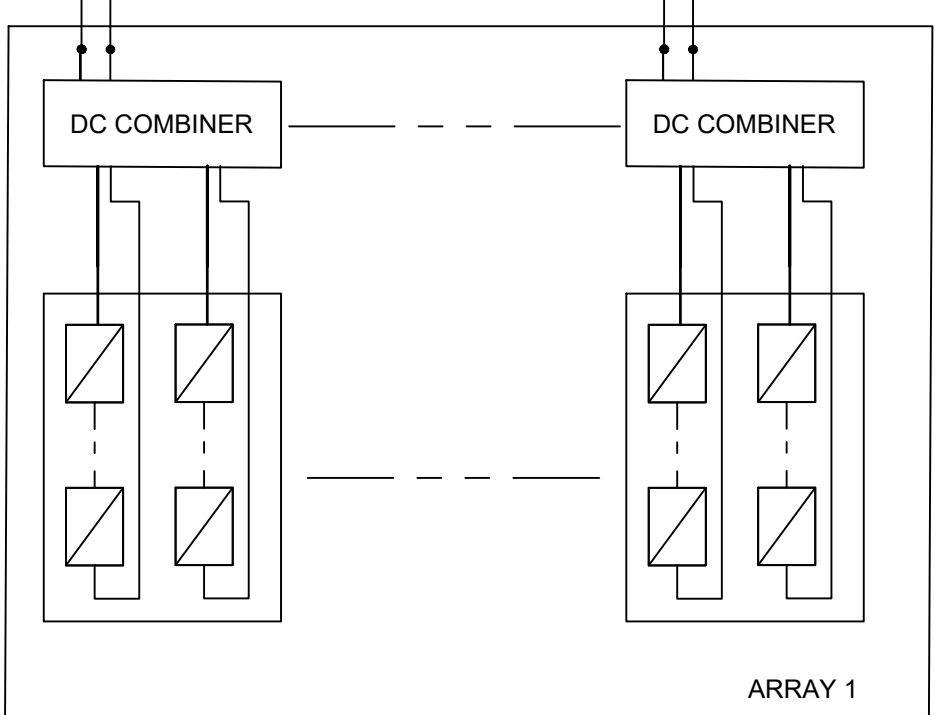
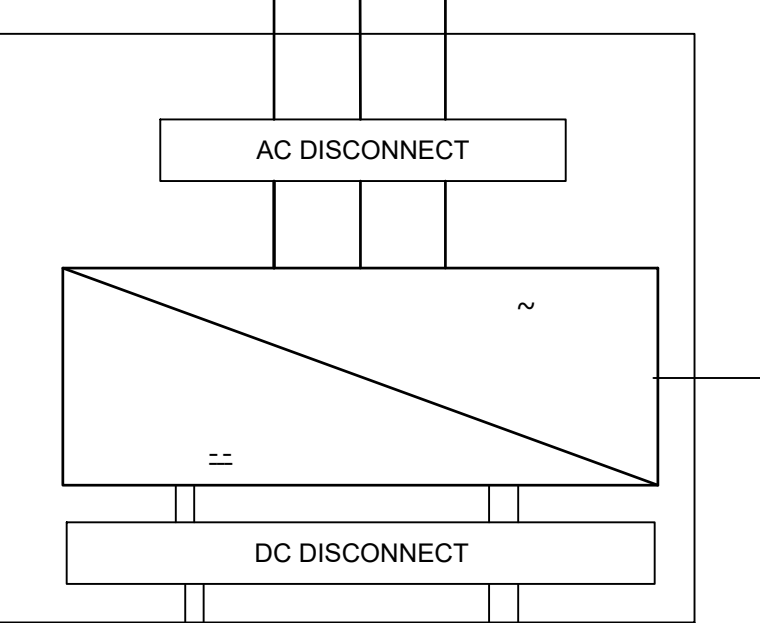
CONTINUED ON  
DRAWING E-603

XMR. 01  
2500kVA,  
PRI.-13.2 KV SEC.-600V  
3 PHASE  
H/X-7.25%Z, X/R-9  
PAD MOUNTED  
TRANSFORMER  
WITH BAY-O-NET FUSES  
AND LIGHTNING  
ARRESTER  
(10KV/8.4MCOV)  
INTERNAL DISCONNECT



NEUTRAL  
GROUNDING  
REACTOR  
50 OHM  
CONTINUOUS  
CURRENT RATING OF  
200A  
X/R - 12

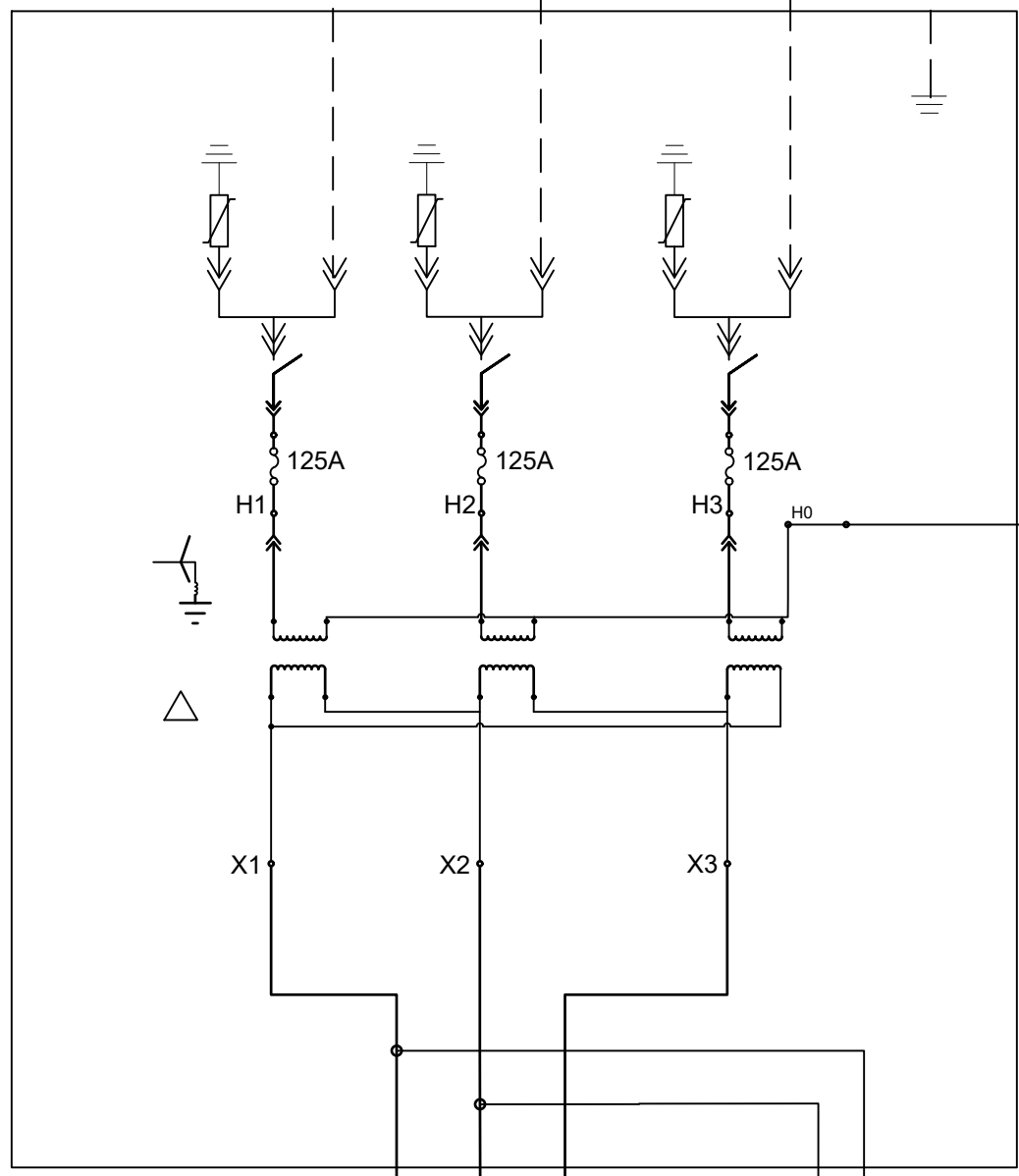
INVERTER  
SMA SC2660 UP-US  
(DERATED TO 2500kW)  
1500VDC  
600VAC  
2560A MAXIMUM OUTPUT CURRENT



530W 1500VDC PV MODULES (JAM72D30-530/MB)  
TOTAL SYSTEM DC RATING:  
SEE ATTACHED SITE PLAN

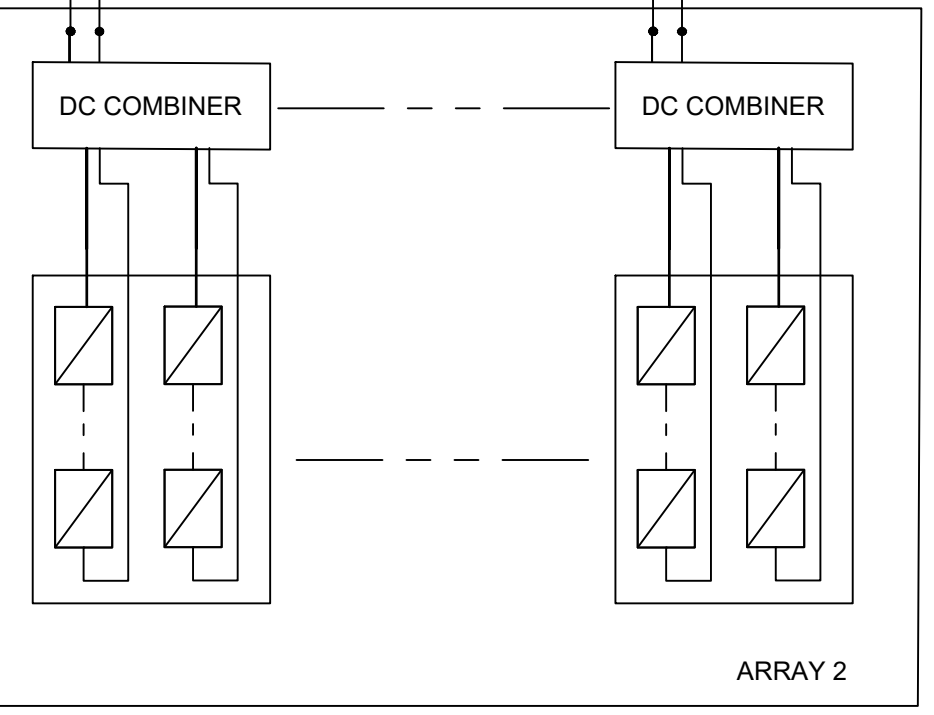
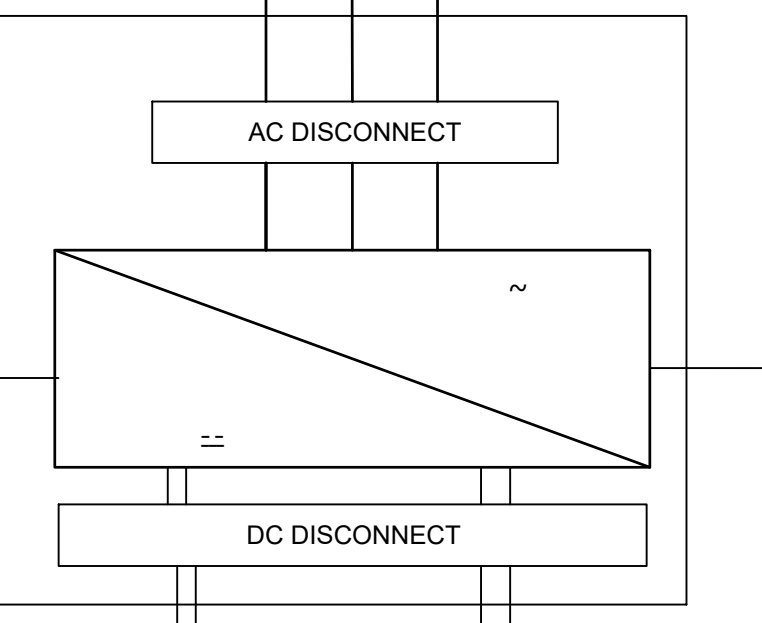
ARRAY 1

XMR. 02  
2500kVA,  
PRI.-13.2 KV SEC.-600V  
3 PHASE  
H/X-7.25%Z, X/R-9  
PAD MOUNTED  
TRANSFORMER  
WITH BAY-O-NET FUSES  
AND LIGHTNING  
ARRESTER  
(10KV/8.4MCOV)  
INTERNAL DISCONNECT



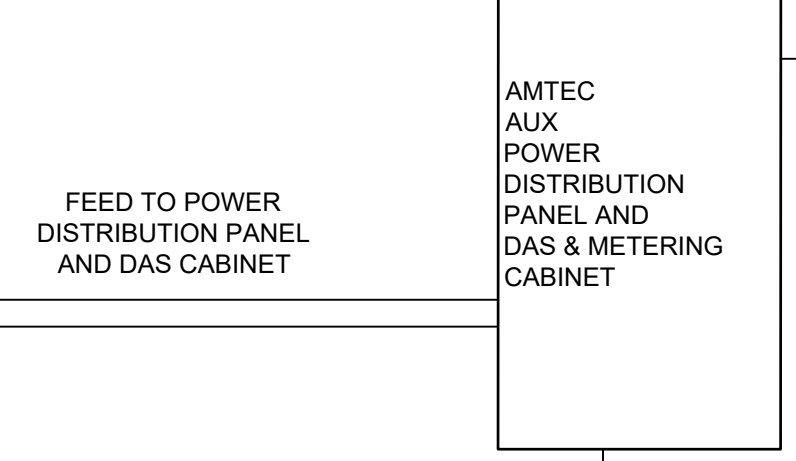
NEUTRAL  
GROUNDING  
REACTOR  
50 OHM  
CONTINUOUS  
CURRENT RATING OF  
200A  
X/R - 12

INVERTER  
SMA SC2660 UP-US  
(DERATED TO 2500kW)  
1500VDC  
600VAC  
2560A MAXIMUM OUTPUT CURRENT



530W 1500VDC PV MODULES (JAM72D30-530/MB)  
TOTAL SYSTEM DC RATING:  
SEE ATTACHED SITE PLAN

ARRAY 2

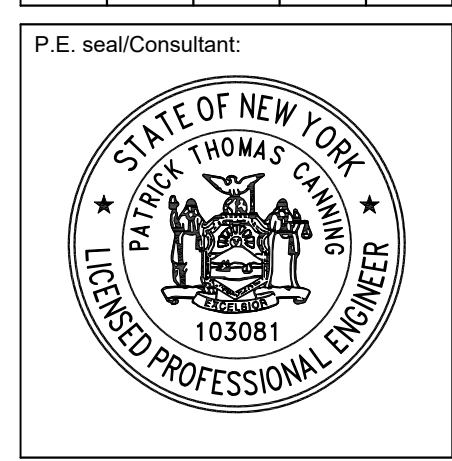


THIS SHEET  
FROM  
CUSTOMER METER



101 Summer Street, Boston, MA 02110  
Tel: (617) 431-1440 Fax: (978) 415-2525 Web: nexamp.com

Rev	Issued For	Date Issued
A	Interconnection Application	6/14/2021



Project:  
**75026 Alturus Solar PV**  
73 Hartley Road,  
Goshen, NY 10924  
41.4022, -74.3815

Drawing Title:  
**Three Line Diagram**  
Drawn by: ZRusso  
Scale: N.T.S.  
Approved by: NGonzalez

Dwg No:	Size: D	Sheet Rev:
<b>E-604</b>		<b>A</b>

NOT FOR CONSTRUCTION, UTILITY  
INTERCONNECTION APPLICATION ONLY

8

7

6

5

4

3

2

1

Company Confidential - This drawing or print is the property of Nexamp, Inc. and is subject to return on request. The design concepts and information contained herein are proprietary to Nexamp, Inc. and its subsidiaries and are submitted in confidence. They are not transferable and must be used only for the purpose for which the Drawing/print is expressly loaned. They must not be disclosed, reproduced detrimental to the interest of Nexamp, Inc. All patent rights are reserved unless they are expressly assigned in writing by a duly authorized representative of Nexamp, Inc.