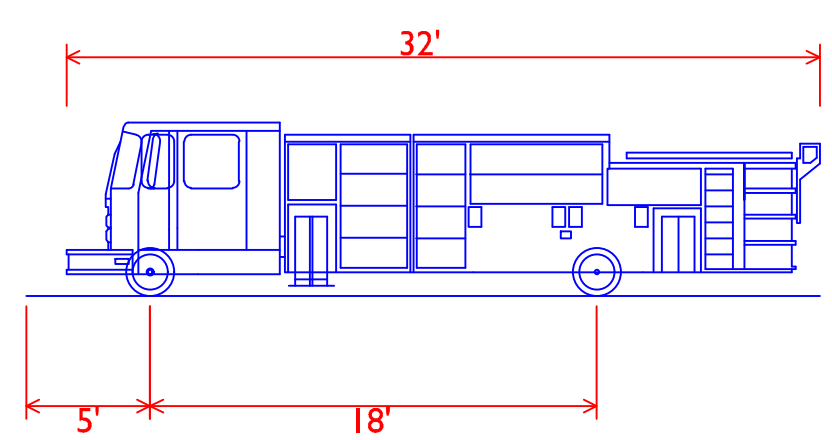


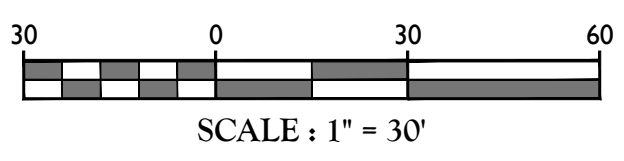
MASER CONSULTING
 WILL BE KNOWN AS COLLIER ENGINEERING & DESIGN IN 2021
 Customer Loyalty through Client Satisfaction
 www.maserconsulting.com
 Office Locations:
 ■ NEW JERSEY ■ NEW MEXICO
 ■ NEW YORK ■ MARYLAND
 ■ PENNSYLVANIA ■ GEORGIA
 ■ VIRGINIA ■ TEXAS
 ■ FLORIDA ■ TENNESSEE
 ■ NORTH CAROLINA ■ COLORADO
 ■ SOUTH CAROLINA
 Copyright © 2021, Maser Consulting. All Rights Reserved. This drawing and all the information contained herein is authorized for use only by the party for whom the services were contracted or to whom it is certified. This drawing may not be copied, reused, disclosed, distributed or relied upon for any other purpose without the express written consent of Maser Consulting.

811 PROTECT YOURSELF
 ALL STATES REQUIRE NOTIFICATION OF EXCAVATOR, DRIVERS, OR ANY PERSON PREPARING TO DISTURB THE EARTH'S SURFACE ANYWHERE IN ANY STATE.
 Know what's below.
 Call before you dig.
 FOR STATE SPECIFIC DIRECT PHONE NUMBERS VISIT: WWW.CALL811.COM

REV.	DATE	DRAWN BY	DESCRIPTION



STANDARD FIRE ENGINE
 Overall Length 32.0ft
 Overall Width 8.0ft
 Overall Body Height 10.0ft
 Min Body Ground Clearance 0.425ft
 Track Width 5.50ft
 Lock-to-lock time 6.00s
 Curb to Curb Turning Radius 32.74ft



SITE PLANS
 FOR
HEALEY BROTHERS LINCOLN DEALERSHIP
 SECTION 12
 BLOCK 1
 LOT 8.11
 TOWN OF GOSHEN
 ORANGE COUNTY
 NEW YORK STATE

NEW WINDSOR OFFICE
 555 Hudson Valley Avenue
 Suite 101
 New Windsor, NY 12553
 Phone: 845.564.4495
 Fax: 845.567.1025

SCALE: AS SHOWN	DATE: 3/4/2021	DRAWN BY: SMB	CHECKED BY: JED
PROJECT NUMBER: 180076418	DRAWING NAME: CLAYT		

SHEET TITLE:
FIRE ENGINE TURN PLAN
 SHEET NUMBER:
 01 of 01

2018/08/04 8:48:25 AM D:\Projects\2018\180076418\Fire\180076418-Fire-Engine-Turn-Plan.dwg

NOTE: DO NOT SCALE DRAWINGS FOR CONSTRUCTION.