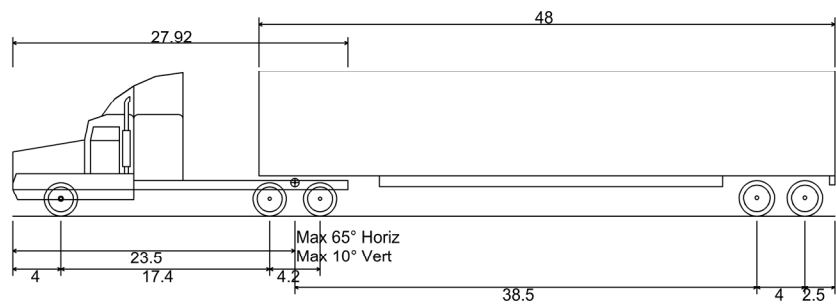
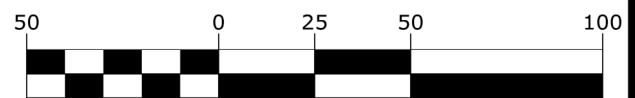



### Maple Avenue Northbound PROFILE



WB-62 - Interstate Semi-Trailer  
 Overall Length 68.500ft  
 Overall Width 8.500ft  
 Overall Body Height 12.052ft  
 Min Body Ground Clearance 1.334ft  
 Max Track Width 8.500ft  
 Lock-to-lock time 6.00s  
 Max Steering Angle (Virtual) 28.40°



1 inch = 50 ft.

LEFT TURN ENTERING GURDA	ALL IN AUDIO 11 GURDA LANE TOWN OF GOSHEN ORANGE COUNTY, NEW YORK	DATE: 11/03/2022	JOB # 1845.01		MONTGOMERY OFFICE 71 CLINTON STREET MONTGOMERY, NY 12549 Ph: (845) 457-7727 WWW.EP-PC.COM
		SCALE: 1" = 50'	SHEET # F-7		